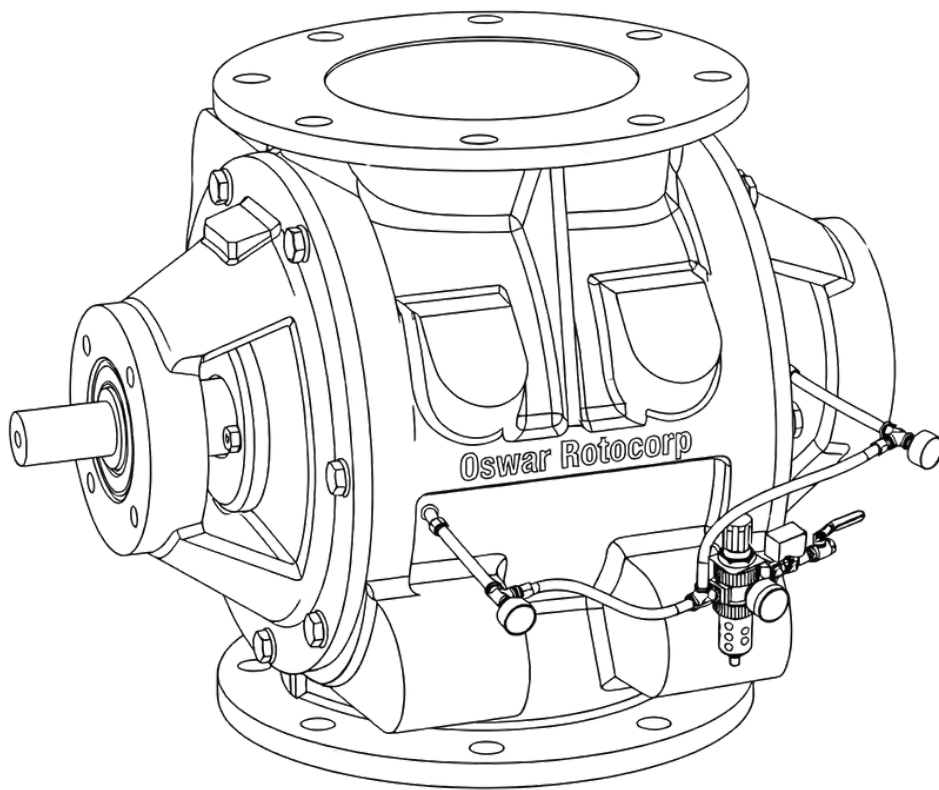


RAL-AB ABRASIVE SERIES

ENGINEERED TO WITHSTAND EXTREME WEAR



OSWAR
rotocorp

RAL-AB – BUILT FOR HIGHLY ABRASIVE MATERIALS

The RAL-AB Abrasive Series is specifically engineered to handle highly abrasive and erosive bulk materials that cause accelerated wear in conventional rotary airlock valves.

Designed for industries processing cement clinker, fly ash, silica, minerals, lime, and other high-hardness materials, the RAL-AB series incorporates reinforced construction and advanced wear-resistant technologies to significantly extend operational life. This series is the ideal solution for industries where wear resistance directly impacts operational efficiency and downtime.

KEY FEATURES

ENHANCED WEAR-
RESISTANT
CONSTRUCTION

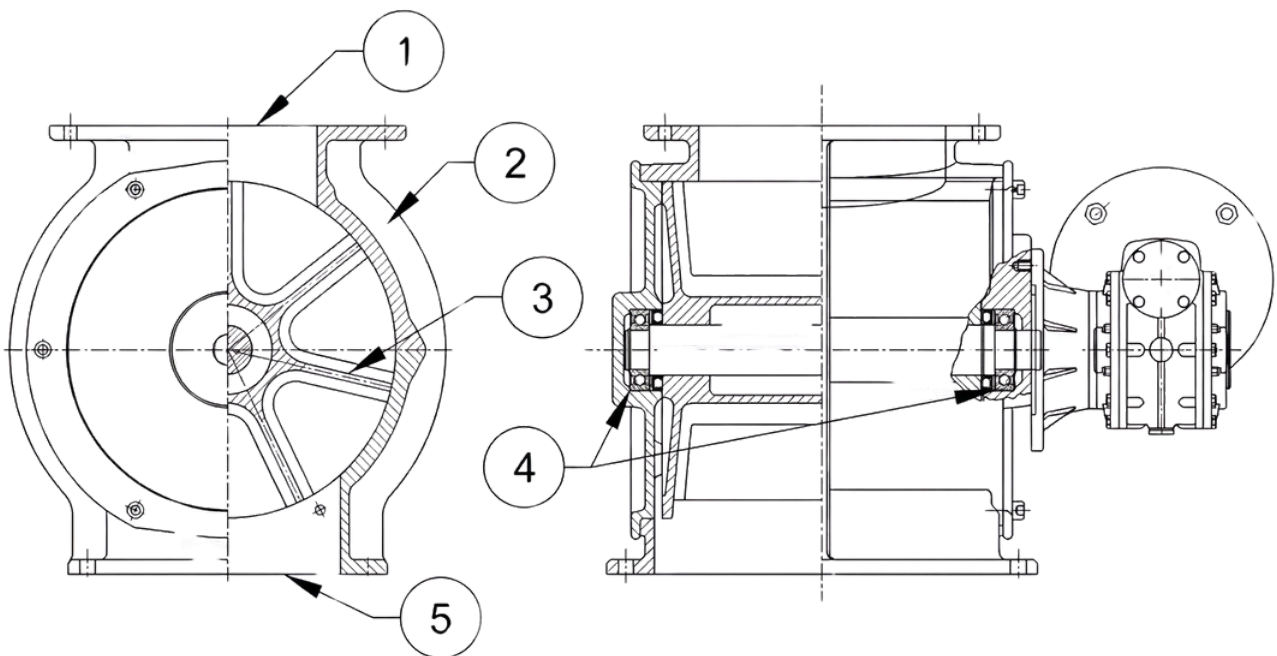
HARDENED
ROTOR & LINER
TECHNOLOGY

EXTENDED
SERVICE
INTERVALS

REDUCED
MAINTENANCE &
REPLACEMENT
COSTS

ENGINEERED FOR MAXIMUM WEAR PROTECTION

The RAL-AB Abrasive Series is manufactured using precision CNC-machined heavy-section housings combined with abrasion-resistant internal components to combat erosive material flow. Rotor blades are treated with advanced surface hardening or specialized coatings to reduce material impact damage and prolong tip life. Optional internal replaceable liners provide additional structural protection, reducing housing wear and preserving dimensional accuracy over extended operation.



MANUFACTURING & QUALITY

- Heavy-duty CNC-machined housing
- Hardened rotor tips and blade surfaces
- Abrasion-resistant coating technology
- Reinforced bearing protection system
- Optimized sealing for stable airlock integrity

DESIGNED FOR HIGH-WEAR INDUSTRIES

- **Clinker & Cement Discharge**
- **Fly Ash Handling Systems**
- **Silica & Sand Processing**
- **Mineral & Ore Handling**
- **Lime & Gypsum Processing**
- **High-Density Pneumatic Conveying**



OSWAR

rotocorp

Corporate Office

Jaipur, Rajasthan India
Nagpur, Maharashtra India

Sales Inquiries

ellaashford.uk@oswarrotocorp.com

Helpline

[+44 7917 128505](tel:+447917128505) | +91 77422 36474

Copyright © 2026 OSWAR ROTOCORP. All Rights Reserved. OSWAR® is a registered trademark of **OSWAR ROTOCORP**. This brochure makes no offers, representations or warranties (express or implied), and information and data contained in this brochure are for general reference only and may change at any time.